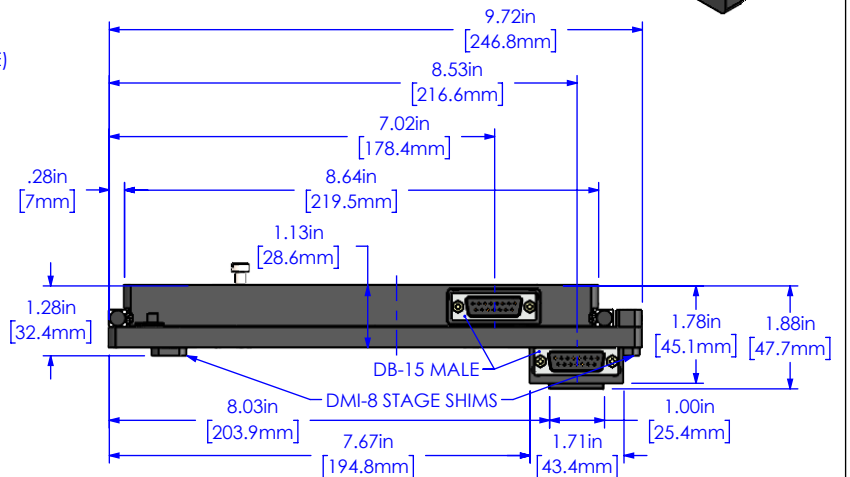
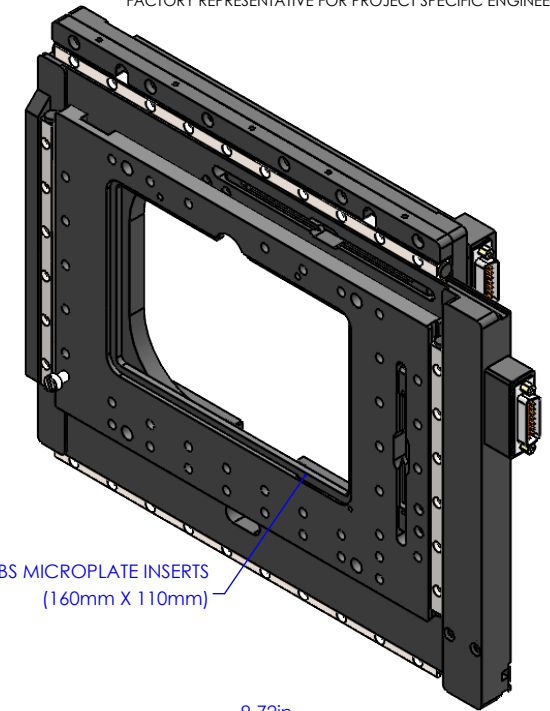
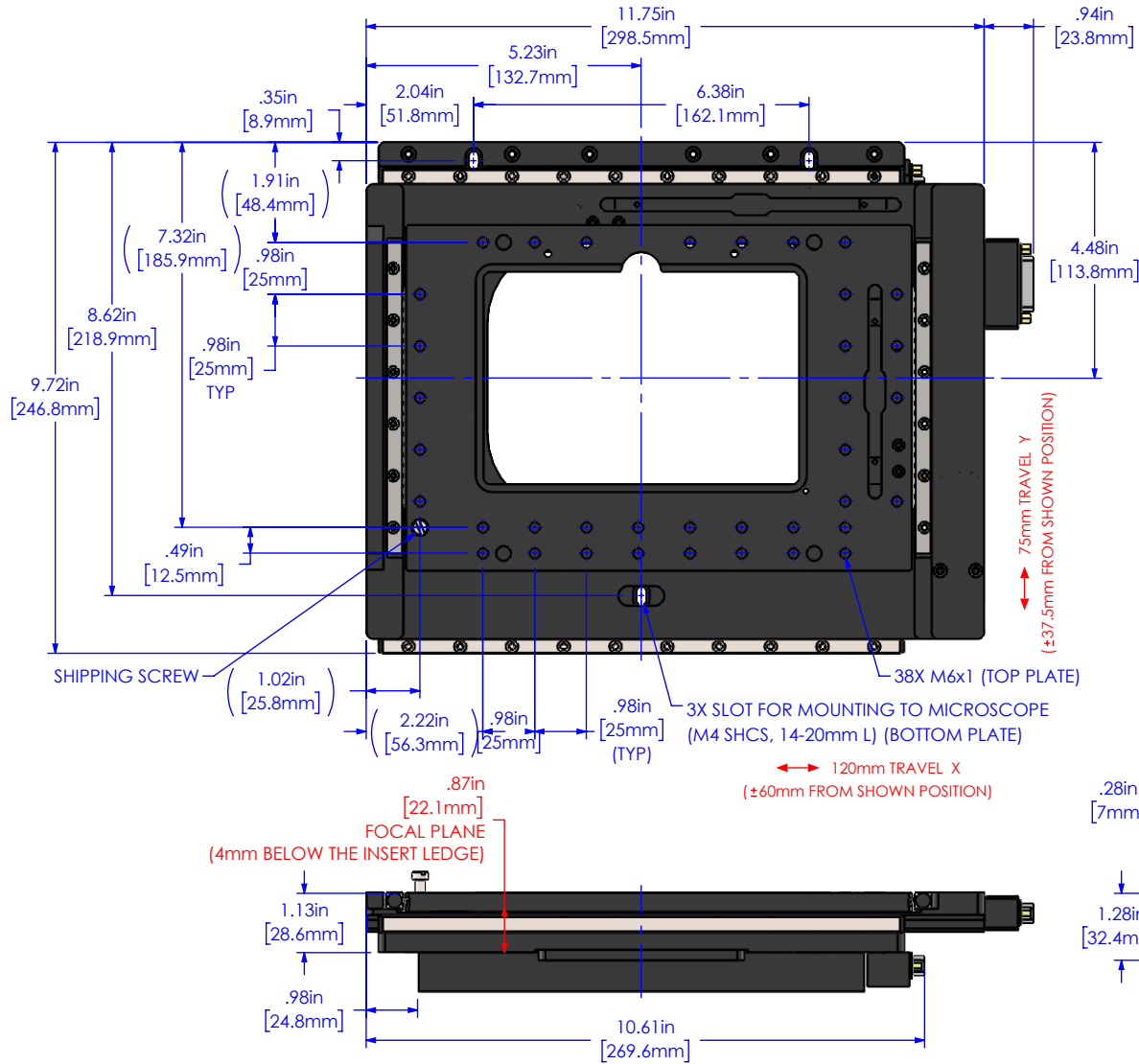


S117-2300B

PART #	DESCRIPTION
S117-2300B	Standard 6.35mm pitch leadscrews
S117-2330A	Scan-optimized (16 TPI and no anti-backlash on X axis)

THIS DRAWING AND ALL DATA INCLUDED IS THE PROPERTY OF APPLIED SCIENTIFIC INSTRUMENTATION AND THE INFORMATION CONTAINED HEREIN IS FOR GENERAL PRESENTATION PURPOSES ONLY AND MAY CHANGE AT ANY TIME. CONTACT ASI OR A FACTORY REPRESENTATIVE FOR PROJECT SPECIFIC ENGINEERING.



PROPRIETARY AND CONFIDENTIAL
 THE INFORMATION CONTAINED IN THIS DRAWING IS THE SOLE PROPERTY OF APPLIED SCIENTIFIC INSTRUMENTATION. ANY REPRODUCTION IN PART OR AS A WHOLE WITHOUT THE WRITTEN PERMISSION OF APPLIED SCIENTIFIC INSTRUMENTATION IS PROHIBITED.

APPLIED SCIENTIFIC INSTRUMENTATION
 29391 W ENID RD
 EUGENE, OR 97402-9533
 PHONE: (541)461-8181
 FAX: (541)461-4018

UNLESS OTHERWISE SPECIFIED
 DIMENSIONS ARE IN INCHES
 .xx ± .01
 .xxx ± .005
 .xxxx ± .002
 FRACTIONS ± 1/32
 ANGLES ± 1°

DESCRIPTION

LEICA DMI-8-FT STAGE

DRAWN BY/DATE

M.ANTHONY 1/7/25

CHECKED BY/DATE

V.MARSO 1/7/25

SCALE

1:3.5

REV

-

MATERIAL

MIC-6, ANODIZED BLK

DRAWING #

S117-2300B